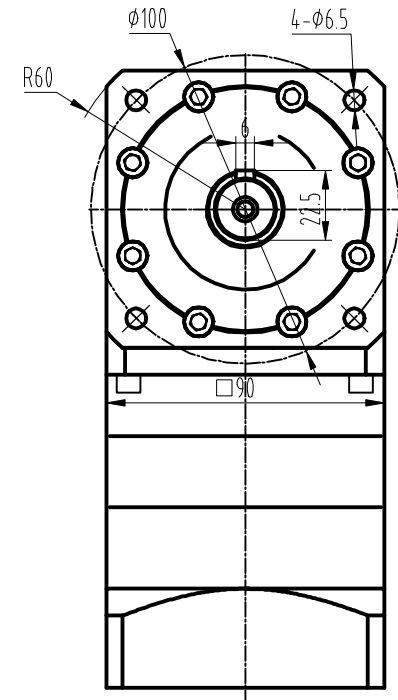
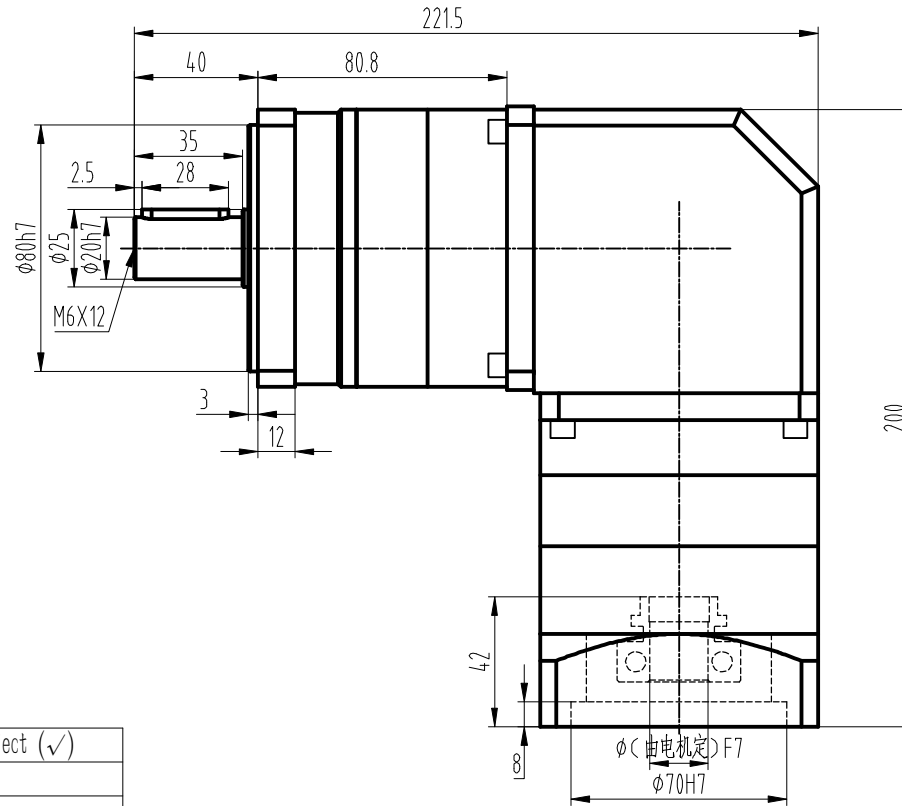
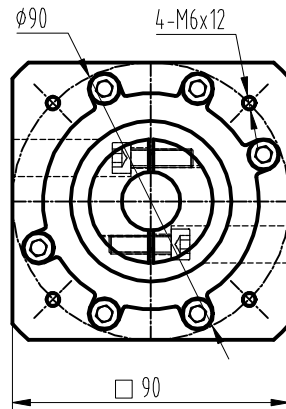


INPUT



According to the motor shaft diameter

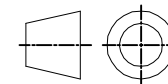
Diameter	Select (✓)
φ19	
φ16	
φ14	
i=	

Efficiency: 94%
 Rated speed: 3000RPM
 Lubrication: Long term
 IP code: IP65

Temperature: -25 °C~90 °C
 Maximum speed: 4500RPM
 Service life: 20000h

ZAE090-L2-| |-20-002-YT-| |-XJG
 x35/φ70x3/4-φ6.5-φ90 ()

Ratio	12	15	16	20	25	28	35	40	50	70
Rate torque NM	96.0	96.0	96.0	96.0	105.5	96.0	105.5	96.0	105.5	71.5
Max. torque NM	2 time rate torque									
Inertia Kgcm ²	0.40	0.40	0.30	0.29	0.29	0.28	0.28	0.28	0.28	0.28
Radial load N	1270									
Axial load N	1100									



ZAE090-L2-| |-S2-P2

1:1

