

Nema 17 Linear Stepper Motor

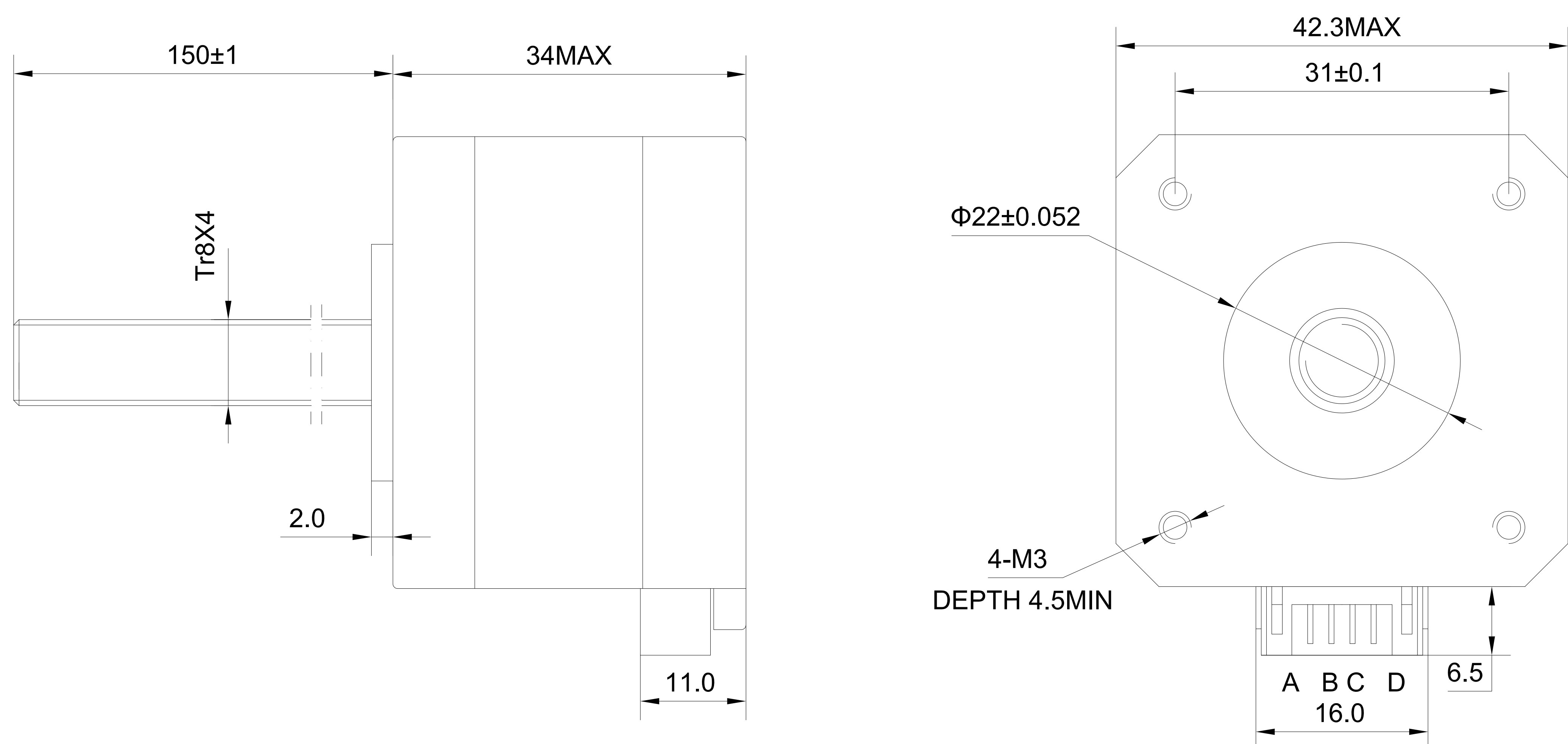
COMMON RATINGS

Step angle :	1.8°	Dielectric strength :	500VAC
Positional accuracy :	±5%	Insulation resistance :	100Mohm(500VDC)
Number of Phase :	2	Ambient Temperature :	-10°C~50°C
Temperature rise :	80°C MAX	Insulation class :	B
Rotor Inertia :	35 gcm ²	Weight :	0.22 Kg

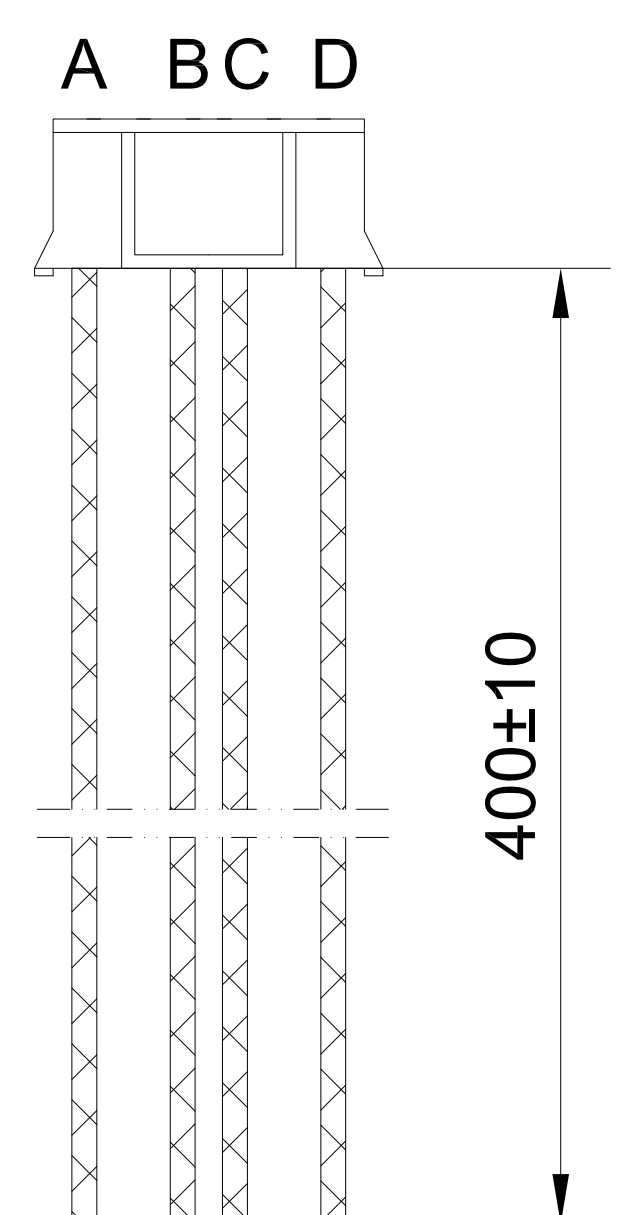
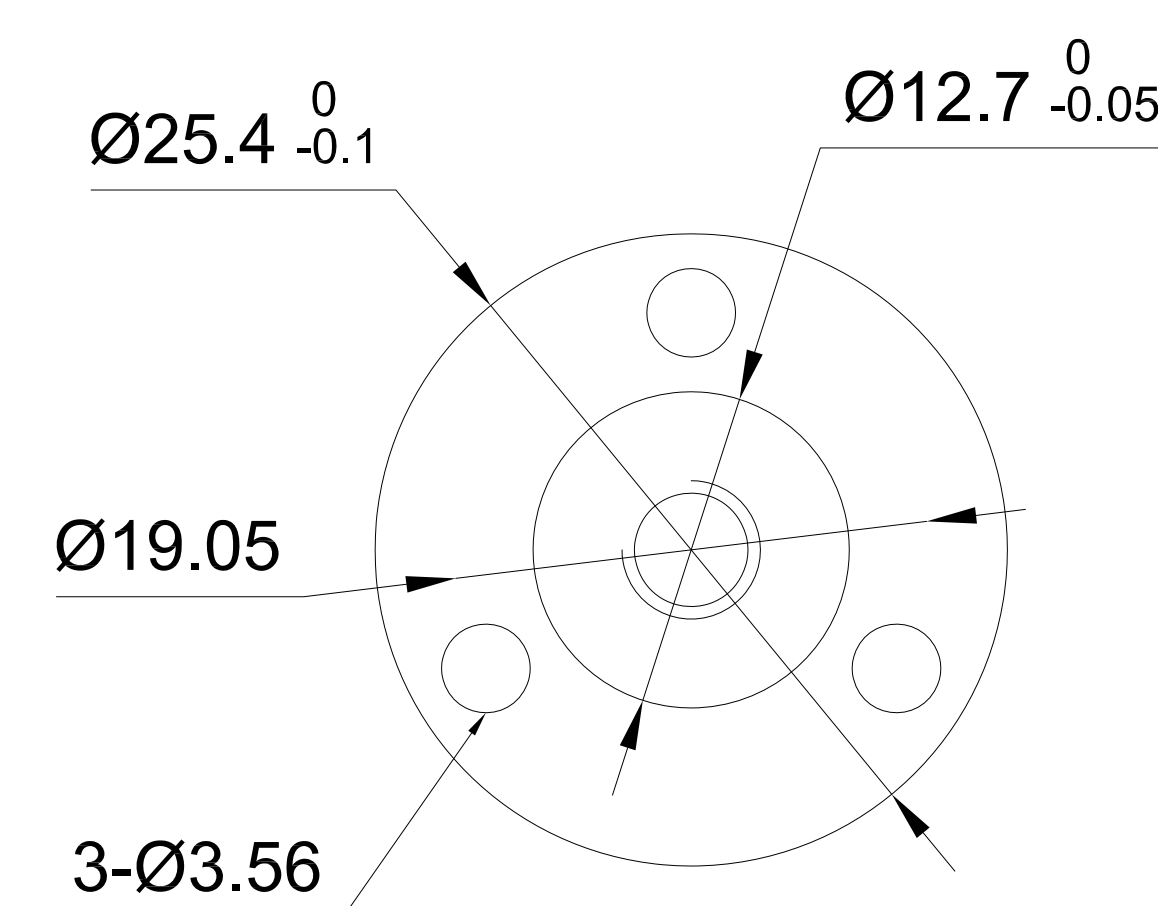
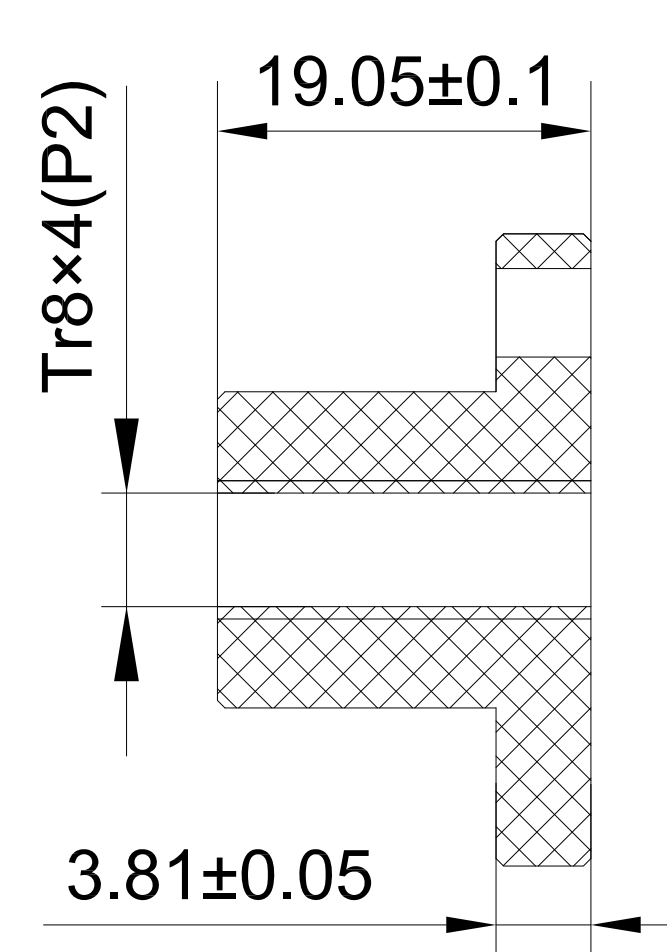
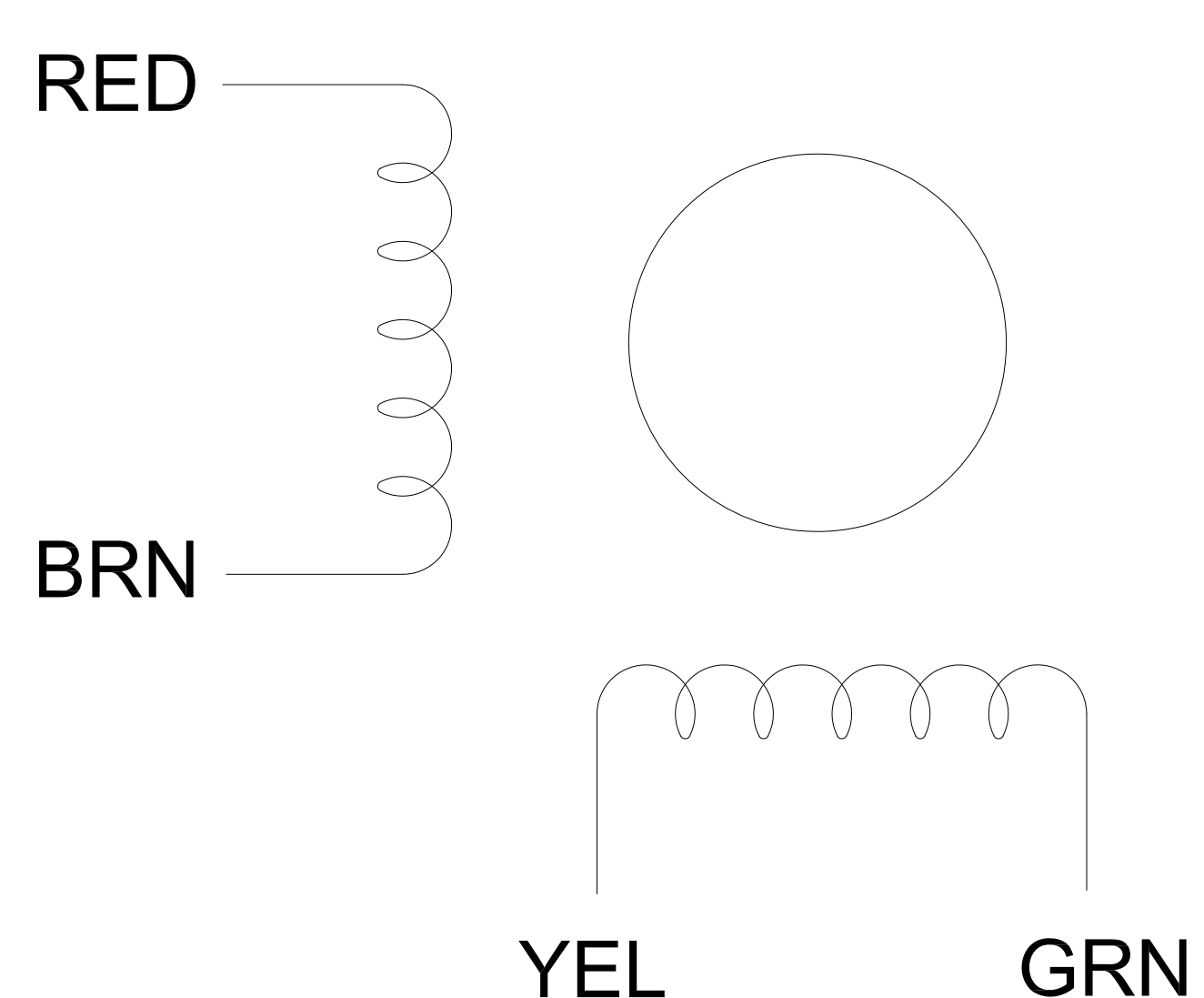
SPECIFICATIONS

Rated Voltage/Phase (V DC)	Phase Resistance (ohms)±10%	Rated Current/Phase (Amps DC)	Phase Inductance (mH)±20%(1KHz) Typical	Linear Travel/Step (mm)	Holding Torque (2 phases on) Kg.cm
12.0	30.0	0.4	37.0	0.02	2.6

DIMENSIONS unit=mm



CONNECTIONS



Screw Nut Material: POM